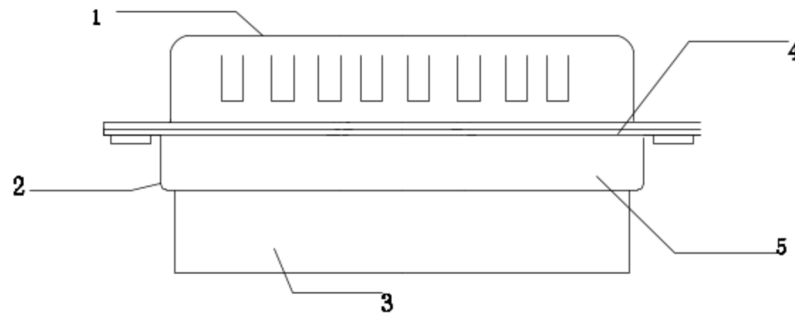
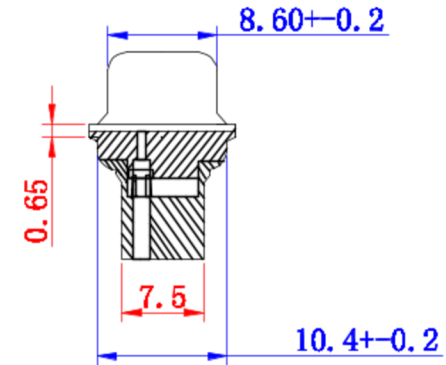
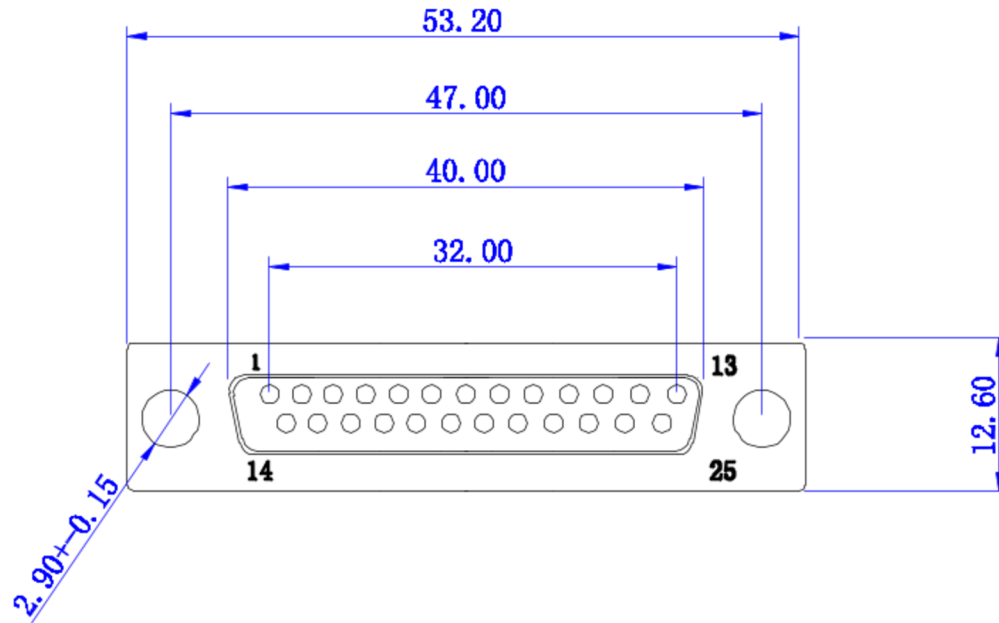


REVISION INFORMATION			
Rev.	Rev. Date	Modified By	Brief Description



- 1. PRIDUCT SERIES;DBW SILDER POT
- 2. CONTACT OPTION;2;RECEPTACCE
- 3. IRREGULAR CHANGES;0;STANDARD
- 4. POSITIOINS;DB25PIN
- 5. INSULTIOIN COLOR;SLUE

注：未注公差±0.2MM

LANshack
Sales@LANshack.com | 888-568-1230

DRAWN BY	DATE: 2012/7/6	DESCRIPTION: DB25 Male Crimp Pin Connector 25 Pin for Custom Pinout
CHECKED BY	SHEET 1 of 1	ITEM NO. LSBL-CON-D25-M-CP
APPROVED BY	SCALE 1:1	REV. 00 UNIT: mm